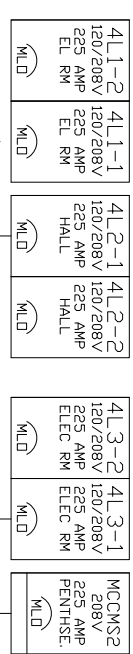
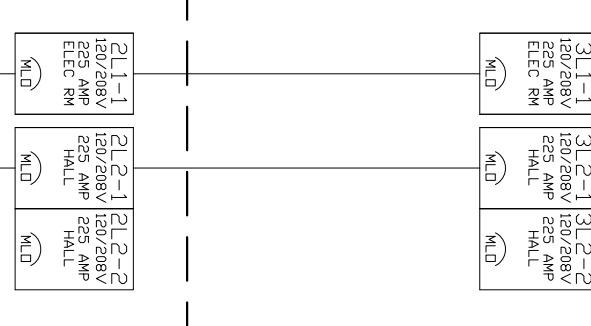


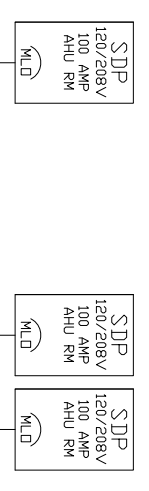
4TH FLOOR / PENTHOUSE



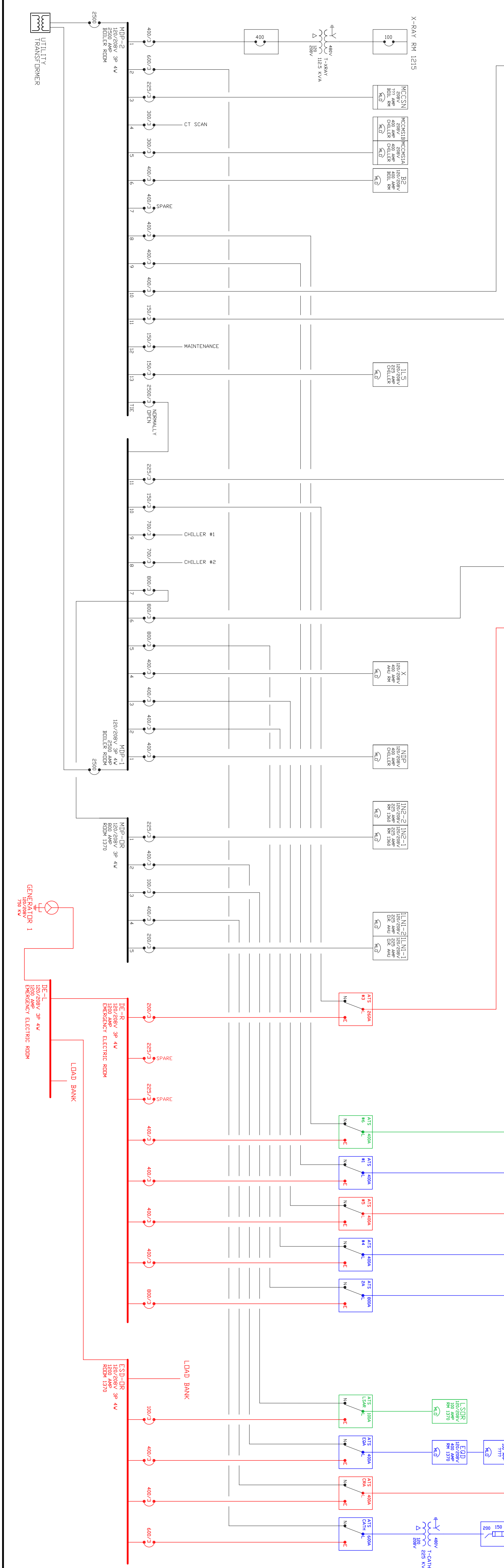
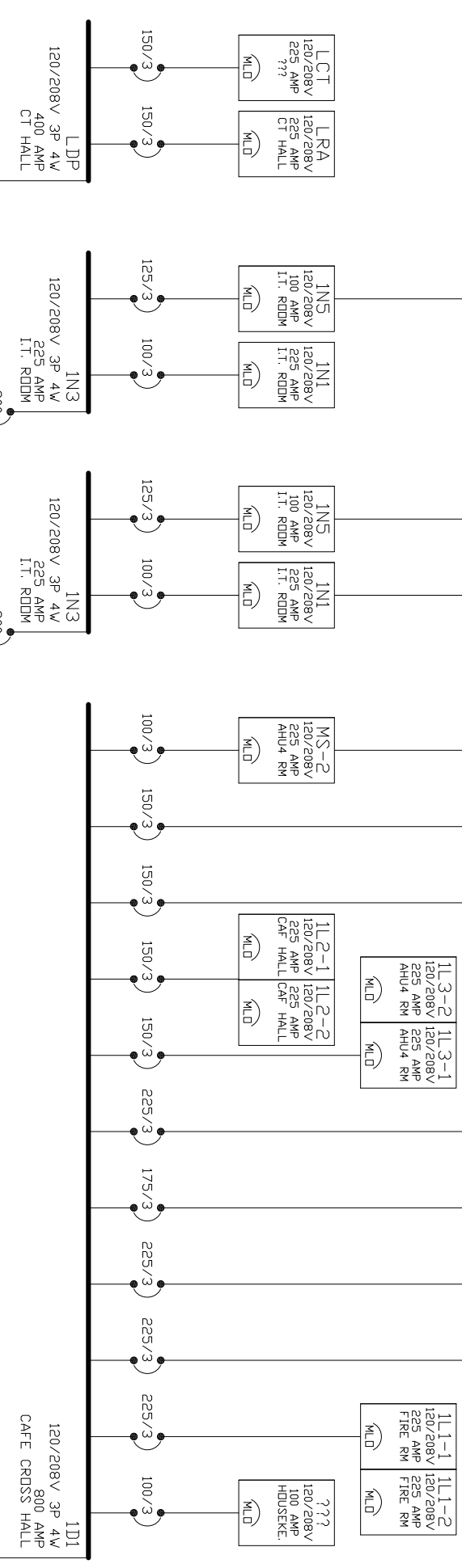
3RD FLOOR



2ND FLOOR



1ST FLOOR



Mitchell & Lindsey, LLC
 Louisville, KY
 (502) 836-4217
 (502) 682-8491
www.mitchellandlindsey.com

ABC COMPANY
 ANYWHERE, USA
 ELECTRICAL ONE LINE



REVISIONS

DATE	BY	DESCRIPTION

DESIGN	BOBBY LINDSEY	DATE	07-29-2014
SCALE	N/A	SHEET	1 OF 1
APPROVED	J. SMITH	EQUIPMENT CODE	N/A
REV	24 X 36	DESCRIPTION	DNE-LINE 1

SYMBOL LEGEND

UTILITY	DISCONNECT
W/S	M/S
TRANSFORMER	LOW VOLTAGE BREAKER
HIGH VOLTAGE BREAKER	INTERRUPTIBLE
FUSED SWITCH	REVERSE POWER PROTECTION
INTERRUPTIBLE	GENERATOR

SYSTEM DESIGNATIONS

■	GENERAL POWER
■	CRITICAL BRANCH
■	EQUIPMENT BRANCH
■	LIFE SAFETY